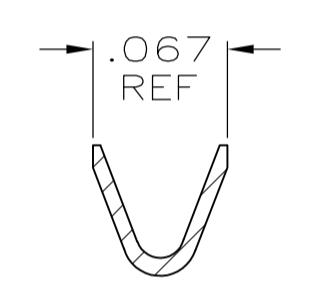
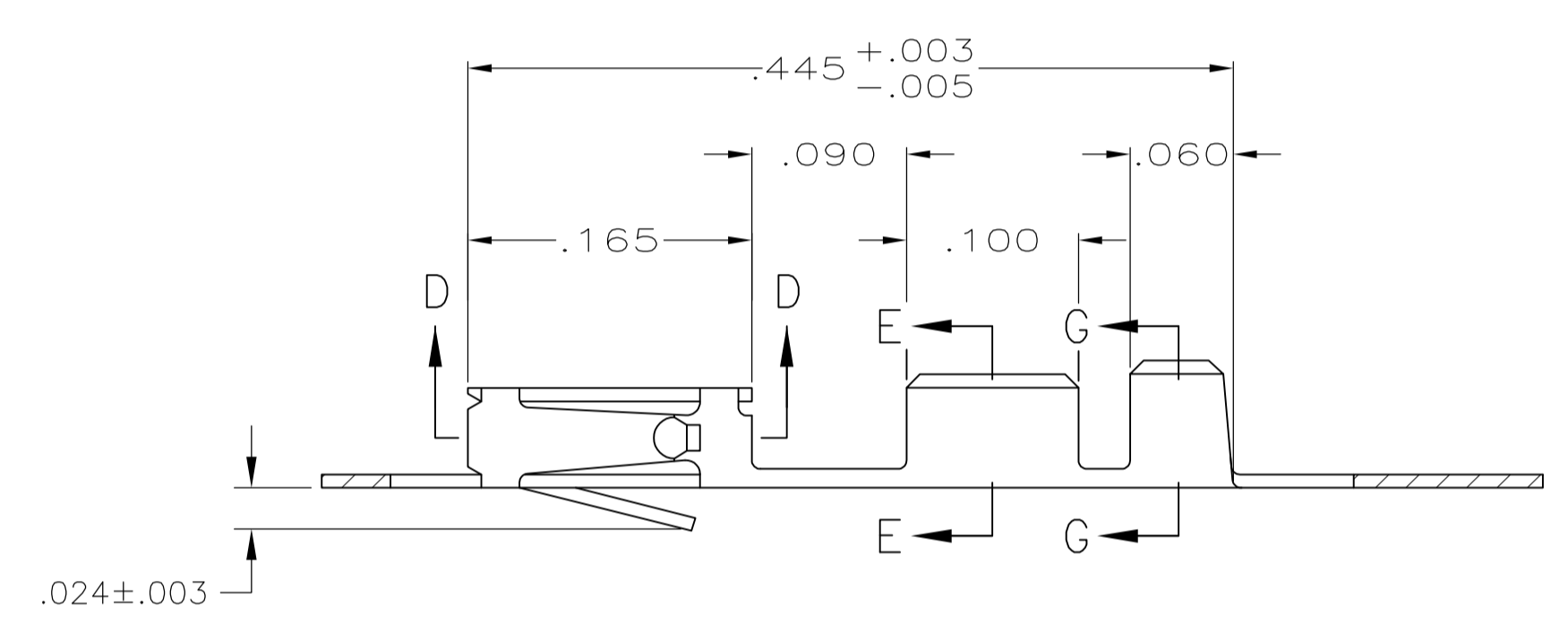
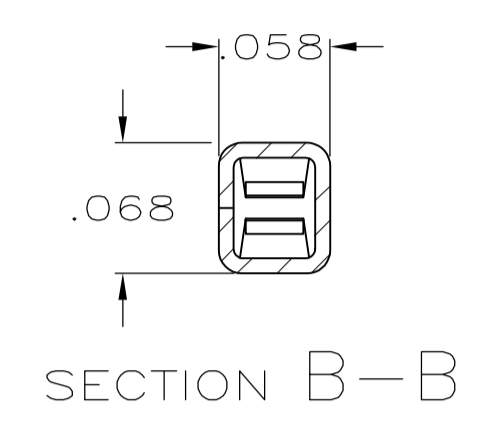
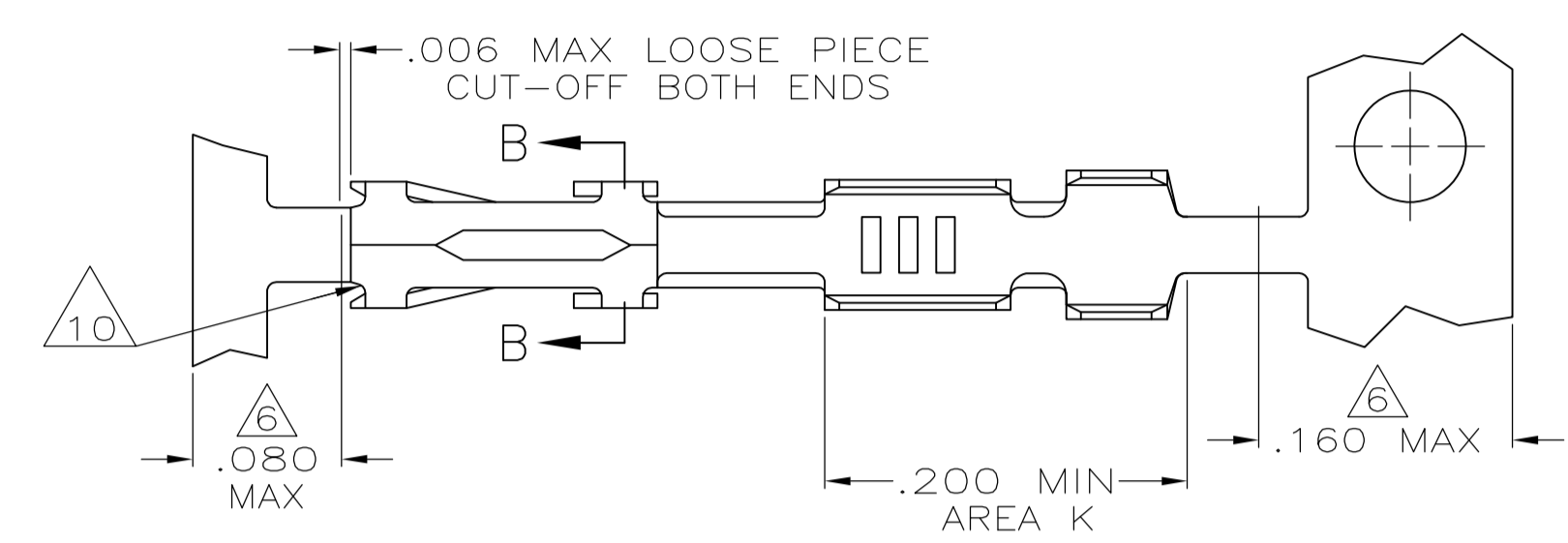
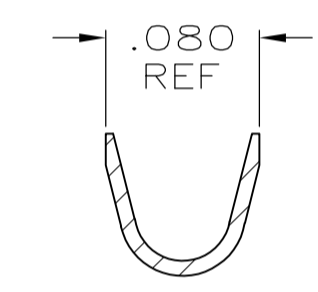


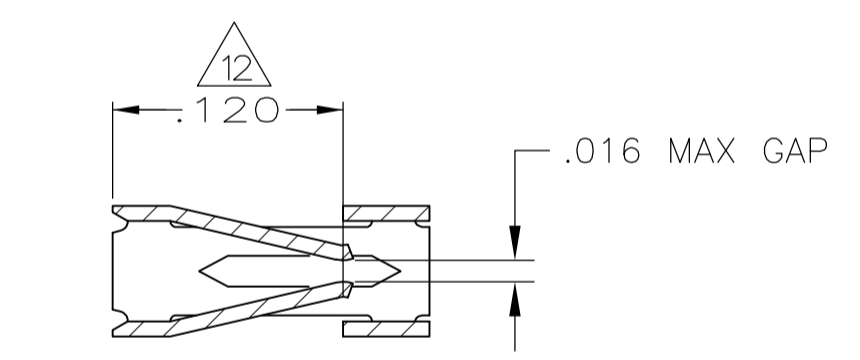
- 1 REELED FOR MINI-APPLICATOR.
- 2 GOLD FLASH OVER NICKEL, .000015 GOLD ON CONTACT AREA.
- 3 GOLD FLASH OVER NICKEL, .000030 GOLD ON CONTACT AREA.
- 4 PREPLATED 0.00127-0.00381 (.000050-.000150) BRIGHT TIN.
- 5 .000050 NICKEL ON ENTIRE CONTACT, .000015 GOLD IN CONTACT AREA.
- 6 GOLD PLATING NOT REQUIRED IN THIS AREA.
- 7 SHEARED EDGES PERMITTED TO BE UNPLATED.
- 8 .000050 NICKEL ENTIRE CONTACT, .000015 GOLD ON CONTACT AREA, .000100-.000200 BRIGHT TIN LEAD IN AREA K.
- 9 GOLD FLASH OVER NICKEL, .000050 GOLD ON CONTACT AREA.
- 10 CUT OUTS ON BOX AT MANUFACTURER'S OPTION.
- 11 .000030 GOLD IN CONTACT AREA, .000100-.000200 BRIGHT TIN-LEAD IN AREA K, ALL OVER .000050 NICKEL.
- 12 POINT OF MEASUREMENT FOR PLATING THICKNESS (INSIDE BEAMS).
- 13 .000030 GOLD IN CONTACT AREA, .000100-.000200 TIN IN AREA K, ALL OVER .000050 NICKEL.
- 14 .000050 NICKEL ENTIRE CONTACT, .000015 GOLD ON CONTACT AREA, .000100-.000200 TIN IN AREA K.



WIRE SIZE #22-#26
SECTION E-E



INSULATION RANGE .061 MAX
SECTION G-G



SECTION D-D

| LOOSE PIECE | REF | 6-87756-8 |
|-------------|--------|-------------|
| REELED | REF | 6-87756-7 |
| LOOSE PIECE | REF | 6-87756-6 |
| REELED | REF | 6-87756-2 |
| LOOSE PIECE | REF | 1-87756-8 |
| REELED | REF | 1-87756-7 |
| LOOSE PIECE | REF | 1-87756-6 |
| OBSOLETE | REF | 1-87756-4 |
| REELED | REF | 1-87756-2 |
| REELED | REF | 1-87756-1 |
| OBSOLETE | REF | 1-87756-0 |
| LOOSE PIECE | REF | 87756-7 |
| REELED | REF | 87756-6 |
| LOOSE PIECE | REF | 87756-5 |
| REELED | REF | 87756-4 |
| LOOSE PIECE | REF | 87756-3 |
| REELED | REF | 87756-2 |
| DESCRIPTION | FINISH | PART NUMBER |

THIS DRAWING IS A CONTROLLED DOCUMENT.

| | | | | | |
|--------------------|--|--------------------------------------|--------------------------|-------------------------------|------------------|
| DIMENSIONS: INCHES | TOLERANCES UNLESS OTHERWISE SPECIFIED: | DRAWN: L.D. RINGLEY 12-10-85 | CHK: J. GESFORD 12-16-85 | APPROVED: J. GESFORD 12-16-85 | NAME: J. GESFORD |
| 0. PLC ± - | 1. PLC ± - | PRODUCT SPEC: 108-25,020 | | | |
| 2. PLC ± - | 3. PLC ± .005 | APPLICATION SPEC: 114-25,003 | | | |
| 4. PLC ± - | ANGLES ± - | MATERIAL: .008 THK CU-SN-P ALLOY 521 | FINISH: SEE TABLE | WEIGHT: - | SIZE: A1 |
| | | CUSTOMER DRAWING | | SCALE: 10:1 | SHEET: 1 OF 1 |

STE TE Connectivity

CONTACT, FEMALE, MOD IV, CRIMP SNAP-IN

RESTRICTED TO: -